

ACCESSORY FITMENT

Product

Foton Tunland V7 Extended Sports bar

Part no.

BS-135026, 135026T TN : 651



60
Minutes

Models : DCAB

Page 1 of 7

Date :28/07/2025

DIAGRAM



Kit content:

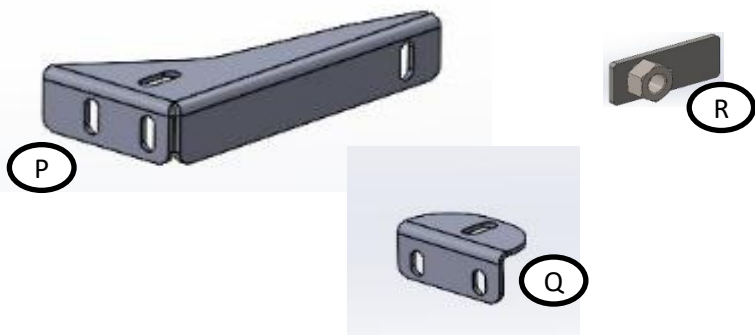
	Qty	Description		Qty	Description
A	4	M8 x 40 set screws	P	2	Front brackets P and D
B	4	M8 x 25 x 2 Flat washers	Q	2	Rear bracket P and D
C	22	M8 Spring washers	R	2	M8 T-nuts
D	2	M10 x 30 Set screws	S	2	M6 x 30 set screw
E	2	M10 x 30 x 2 Flat Washers	T	2	M6 spring washer
F	2	M10 Spring washers	U	2	M6 x 30 x 2.5 flat washer
G	20	M8 x 30 set Screws	V		
H	30	M8 x 22 x 1,6 Flat Washers	W		
I	12	M8 Plastic caps	X		
J	8	M8 Hex Nuts	Y		
K	4	Grommet	Z		
L	2	Joining Rubber P and D			
M	2	Rear base rubber			
N	2	Front rubber			
O	2	Side plates P and D			

Additional equipment/Material needed for fitment :

Qty			
		Fitters tool box	

Precautions during fitment:

Ensure you have an adequate working space. Requires two people for fitment. Ensure that the correct tools are used with installation. Read through the fitting instructions carefully before installation.



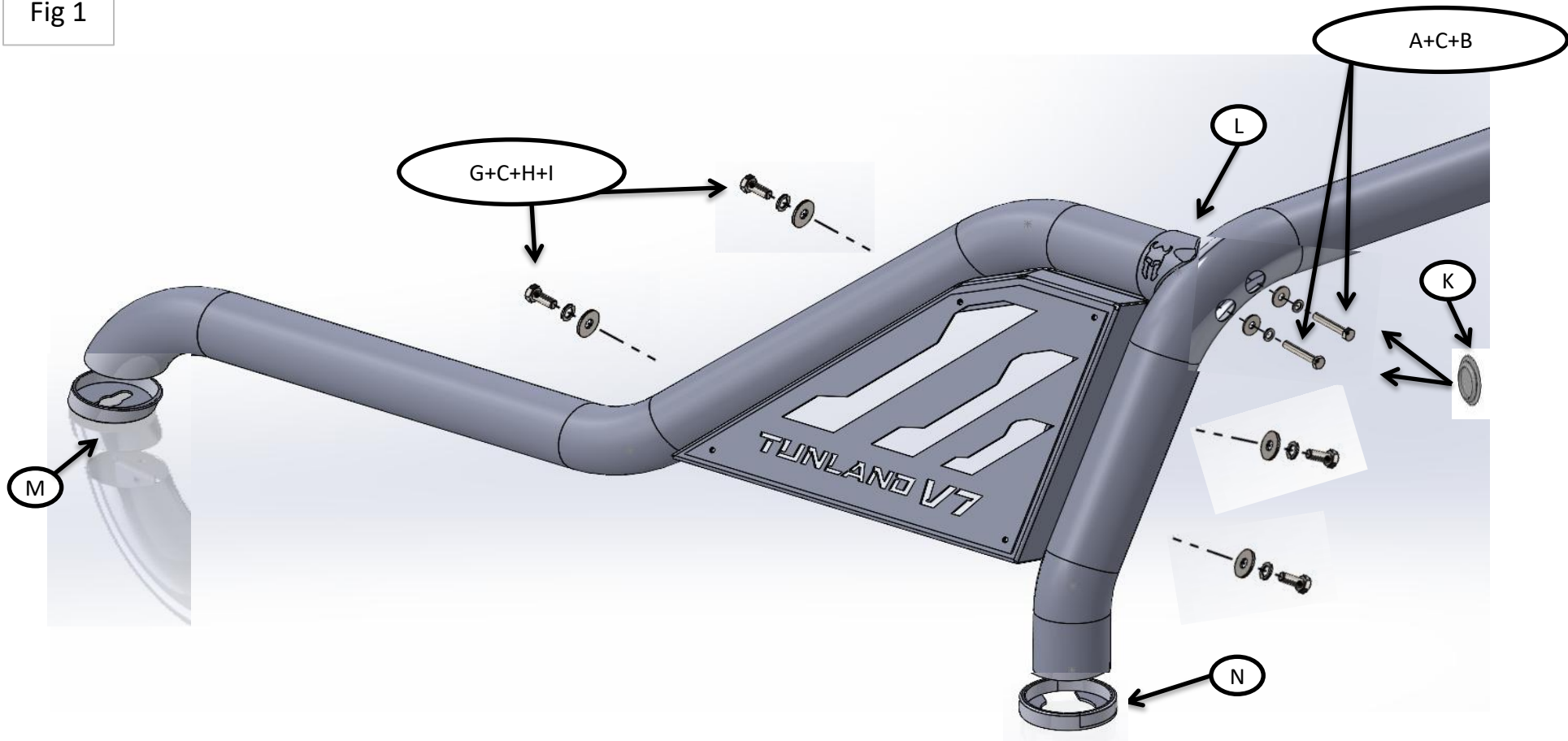
Fitment Instruction: V7 Sports Bar

Visual / Graphic Illustration

Step #

Description/Method

Fig 1



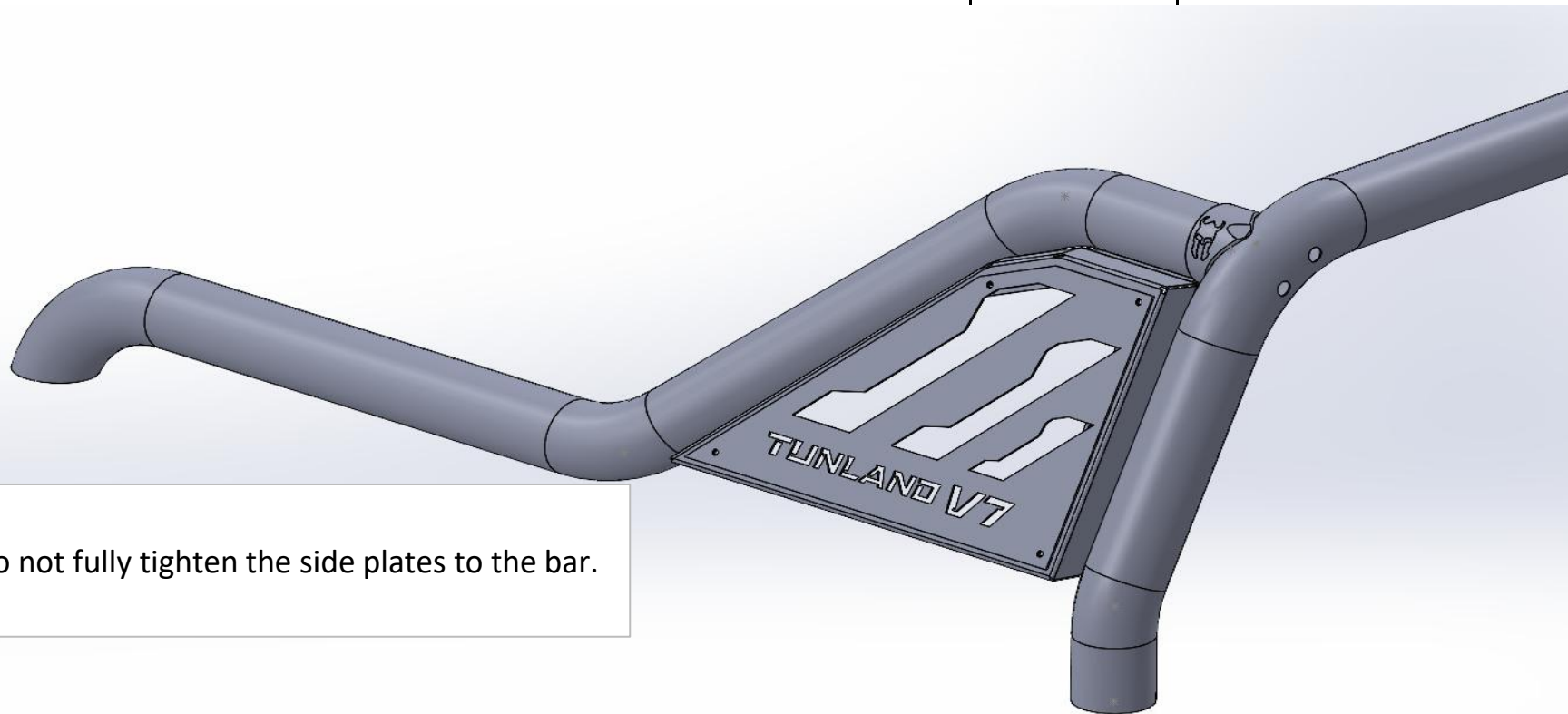
Fitment Instruction: V7 Sports Bar

Visual / Graphic Illustration

Step #



Description/Method

Fig 2



Do not fully tighten the side plates to the bar.

Fitment Instruction: V7 Sports Bar

Visual / Graphic Illustration	Step #	Description/Method
<p data-bbox="120 472 253 555">Fig 3</p>  <p data-bbox="129 810 504 900">Drivers side</p>	<p data-bbox="1368 507 1397 544">1</p>	<p data-bbox="1503 469 2166 584">Loosely mount the front brackets as shown using the fasteners provided. You will need to use the M8 T-nut for the front. Repeat on passenger side.</p>
<div style="text-align: center;">  <p data-bbox="734 1161 1016 1241">G+C+H+I</p> </div>		

Fitment Instruction: V7 Sports Bar

Visual / Graphic Illustration

Step #

Description/Method

Fig 6



NB: Rear bracket to bar is M8

2

Ensure the front bar is loosly mounted to the Front bracket(See page 6). Then using the rear bracket as a guide loosly mount the rear bracket shown in Fig 7 to the back bar using the M8 fastners, this will then give you your postion for drilling in the rear bracket.

3

Once you have the position marked you can drill the rear brackets in and loosly mount them. Use Fig 8 to ensure your bar is the correct length. A few millimeters out is fine.

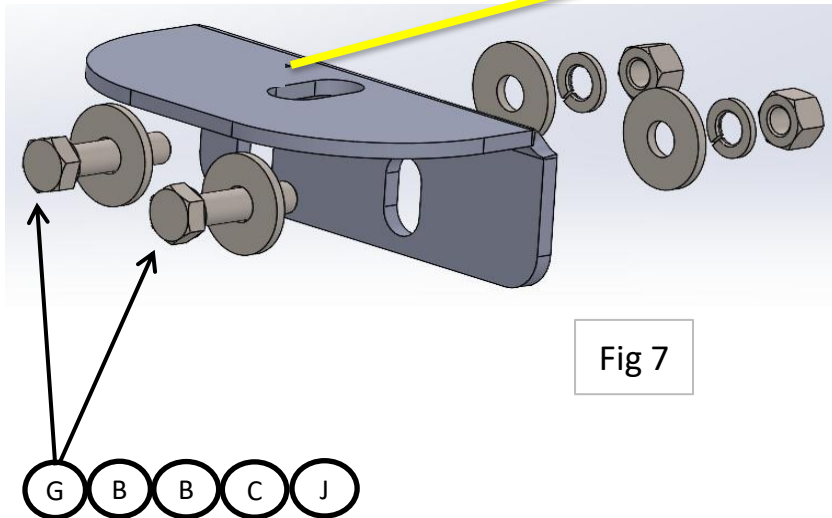
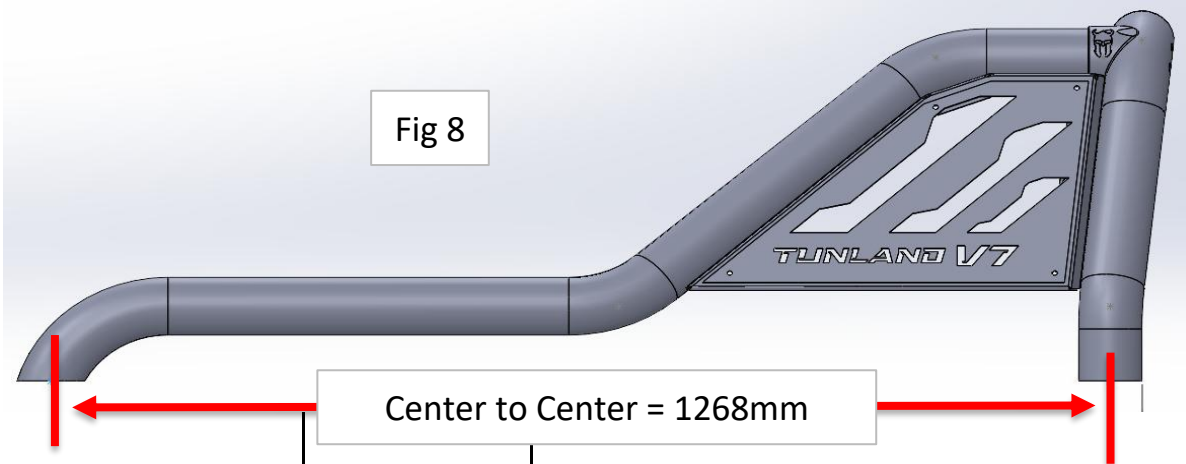


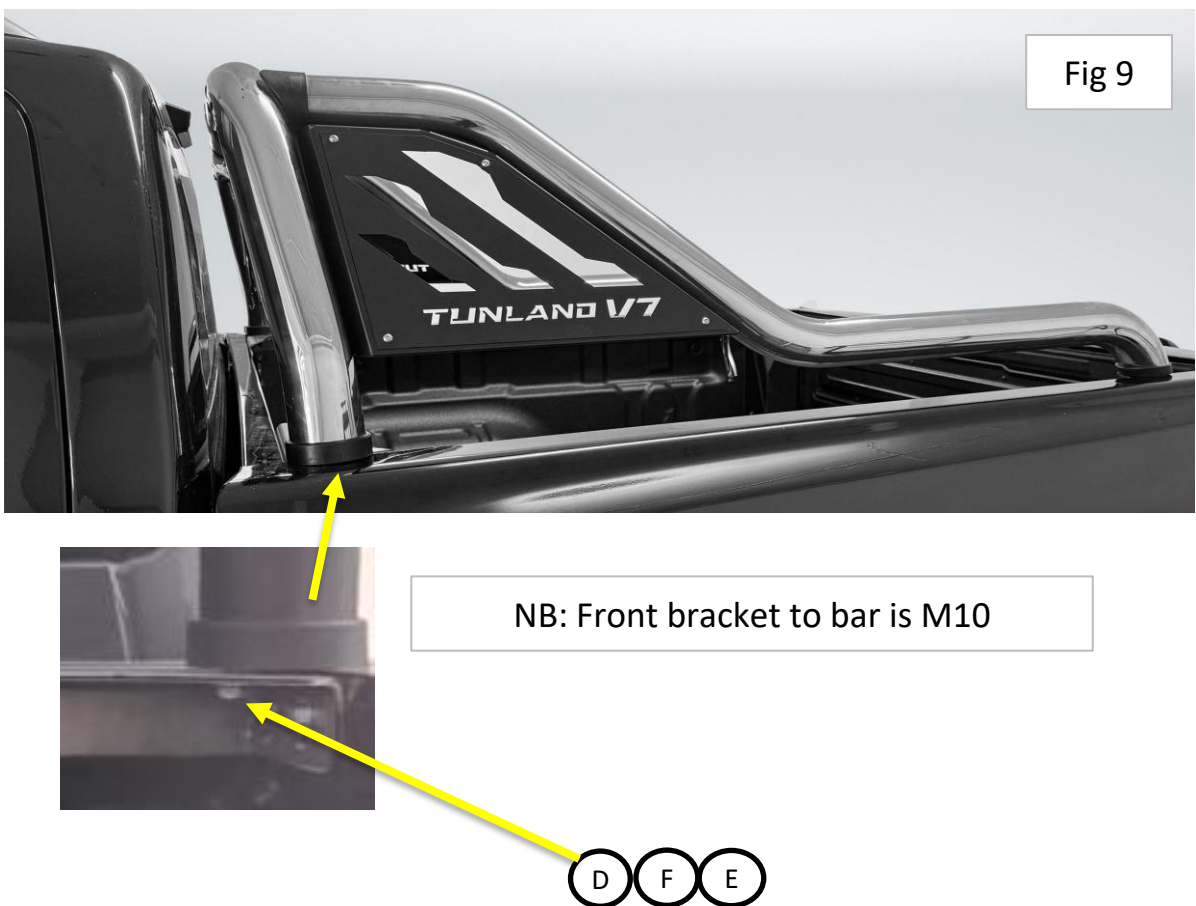
Fig 7

Fig 8



Center to Center = 1268mm

Fitment Instruction: V7 Sports Bar

Visual / Graphic Illustration	Step #	Description/Method
 <p style="text-align: right; margin-right: 20px;">Fig 9</p> <p style="text-align: center; border: 1px solid black; padding: 5px; width: fit-content; margin: 10px auto;">NB: Front bracket to bar is M10</p> <p style="text-align: center; margin-top: 10px;">D F E</p>	4	Loosely mount the front bar to the brackets using the M10 fastners shown in Fig 9

Make sure bar is centralised and tighten all fasteners to specified torque. M8= 22Nm , M10= 42Nm , M6= 9Nm.

