

ACCESSORY FITMENT

Product

Foton Tunland V9 PDC Nudge Bar

Part no.

135024T, BS-135024 TN : 642



60
Minutes

Models :DC

Page 1 of 6

Date : 27/10/2025

DIAGRAM



Kit content:

	Qty	Description		Qty	Description
A	4	M10 x 100 SETS	H	8	M10 HEX NUTS
B	2	M10 x 30 SETS	I	10	M10 SPRING WASHERS
C	4	M6 x 25 SETS	J	4	M8 SPRING WASHERS
D	4	M8 x 25 SETS	K	4	M6 SPRING WASHERS
E	14	M10 x 30 x 2 F/WASHERS	L	2	M8 PLASTIC CAPS
F	4	M8 x 22 x 2 F/WASHERS			
G	4	M6 x 16 F/WASHERS			

Additional equipment/Material needed for fitment :

Qty		Qty	
	Fitters Tool Box		

Precautions during fitment:

Do not damage the vehicle

Directions for use:

Read instructions

Fitment Instruction:
Foton Tunland V9 PDC Nudge Bar

Visual / Graphic Illustration

Step #

Description/Method

Fig 1

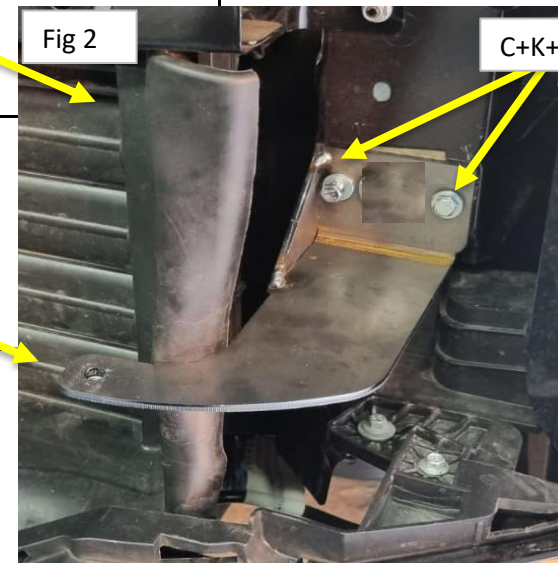


1

Remove the grill and have the top bracket fitted as shown below.

Fig 2

C+K+G



Fitment Instruction: Foton Tunland V9 PDC Nudge Bar

Visual / Graphic Illustration

Step #

Description/Method

Fig 3



2

Fig 4 shows the full assembly of the bottom brackets

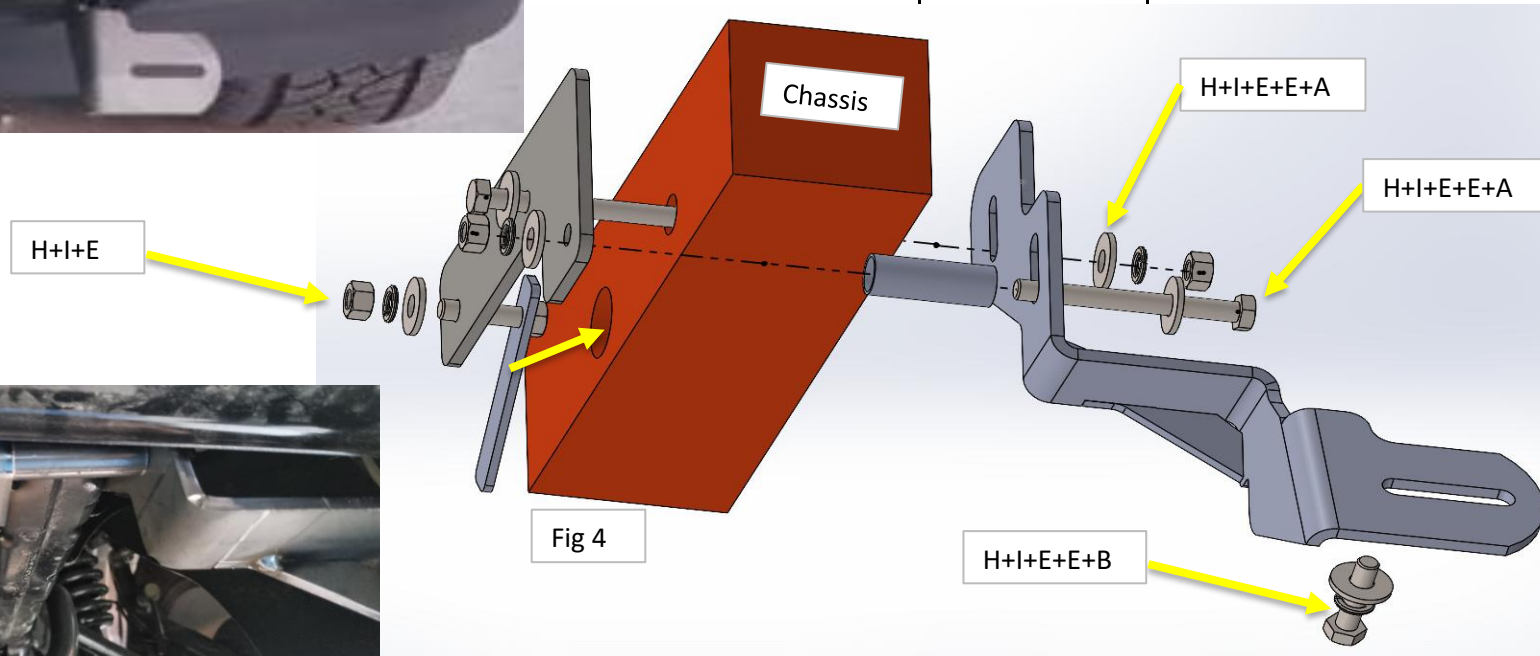





Fig 5

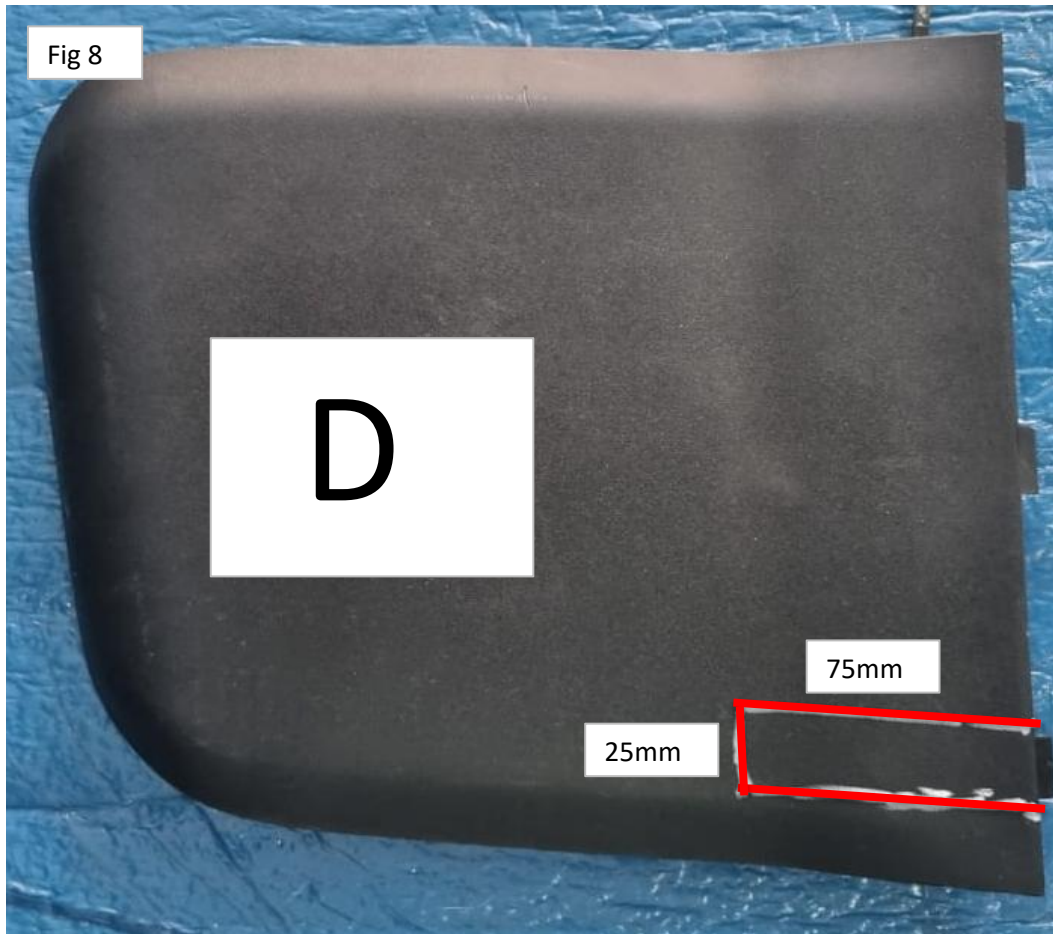


Fitment Instruction: Foton Tunland V9 PDC Nudge Bar

Visual / Graphic Illustration	Step #	Description/Method
<p data-bbox="123 478 190 518">Fig 6</p> 	<p data-bbox="1366 502 1400 550">3</p>	<p data-bbox="1518 454 2150 598">Loosley mount the top bolt on bracket onto the top bracket using the fastners shown in Fig 7. Then place the grill back taking note of the exit postions of the bracket.</p>
<p data-bbox="235 989 302 1029">Fig 6</p> 	<p data-bbox="1366 798 1400 845">4</p>	<p data-bbox="1518 782 2150 853">Using the M10 fastners and the M8 fastners you can attach the nudge as shown in Fig6</p>
	<p data-bbox="1164 1316 1232 1356">Fig 7</p> 	

Fitment Instruction:
Foton Tunland V9 PDC Nudge Bar

Visual / Graphic Illustration



Step #

Description/Method

5

Using the Image on the left, measure and trim the plastic as shown. Repeat the process on the Passenger side. You can trim a little extra on the cover if the bracket still needs some room top fit.

Make sure bar is centralised and tighten all fasteners to specified torque. M8= 22Nm , M10= 42Nm , M6= 9Nm.

